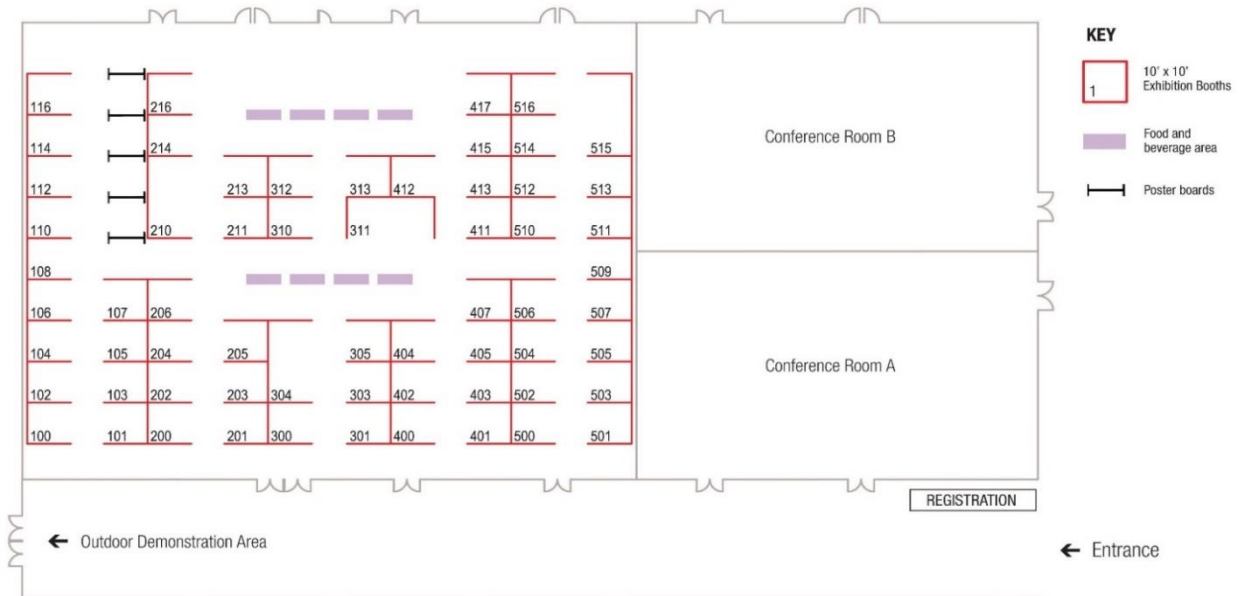


CBRNe CONVERGENCE

CBRNe Convergence 2018 Rosen Plaza Hotel, Orlando, USA 6-8 November 2018

Organised by Falcon Communications - publishers of CBRNe World
Floorplan not to scale



EXHIBITORS	214	NORM LTD	501	TRACERCO LTD
100 JOINT TASK FORCE CIVIL SUPPORT	216 SAAB USA	502 AIR TECHNIQUES INTERNATIONAL	503 HDT GLOBAL	
101 TETRACOR	300 FIRST LINE TECHNOLOGY -SILVER SPONSOR	504 ECBC	505 HAMELN PHARMA/GERITREX	
102 ARGONIDE ADVANCED FILTRATION SYS.	301 OPEC CBRNE	506 DETECTACHEM	507 SAFEWARE/BERTIN TECHNOLOGIES	
103 US NAVAL RESEARCH LABORATORY	303 H3D, INC.	509 MIRION TECHNOLOGIES	510 GASMET	
104 SMITHS DETECTION	304 FEDERAL RESOURCES-SILVER SPONSOR	511 SPECIAL PROJECTS OPERATIONS, INC.	512 THERMO FISHER SCIENTIFIC	
105 TETRATECH	305 BIOFIRE DEFENSE-SILVER SPONSOR	513 RADTRIAGE 50	514 RADIATION SHIELD TECHNOLOGIES	
106 SERIM RESEARCH CORPORATION	310 SURVITEC GROUP-SILVER SPONSOR	515 LOKSAK, INC.-SILVER SPONSOR	516 BHE ROBOTICS	
107 CQC, LTD	311 FLIR SYSTEMS -PLATINUM SPONSOR			
108 NUZIA DYNAMICS, INC.	312 ORTEC			
110 CAMELBAK PRODUCTS, LLC	313 QUICKSILVER ANALYTICS, INC.			
112 ANTON PAAR USA	400 3M SCOTT FIRE &SAFETY			
114 INERT PRODUCTS, LLC / MAC 7 TRAINING	401 DECON 7 SYSTEMS, LLC			
116 LARSEN & TOUBRO, LTD	402 FAST-ACT			
200 BAUER COMPRESSORS, INC.	403 908 DEVICES			
201 SEC TECHNOLOGIES	404 METROHM -BRONZE SPONSOR			
202 ADS, INC.	405 BATTELLE			
203 MORPHIX TECHNOLOGIES	407 CRISTANINI/ITL SOLUTIONS-GOLD SPONSOR			
204 TEX-SHIELD, INC.	411 ARGON ELECTRONICS			
205 RAPISCAN SYSTEMS -SILVER SPONSOR	412 PROENGIN			
206 POLO CUSTOM PRODUCTS	413 RIGAKU ANALYTICAL DEVICES			
210 AIRBOSS DEFENSE	415 KROMEK			
211 AVON PROTECTION-SILVER SPONSOR	417 SENSOR RESEARCH & DEVELOPMENT CORP			
213 DRAEGER SAFETY	500 ISOVAC PRODUCTS, LLC			